

- The assembly will be gamma sterilized. Each pack will have the 'Gamma Irradiated' RED indicator.
- **Biosafety**
- All components of this assembly pass the Biological Reactivity Test *in vivo* for class VI plastics as per USP <88>
- **Non Animal Origin**
- According to declaration from MDI raw material and components suppliers, the materials used to manufacture this assembly do not contain substance of animal origin

Bill of Materials

S. No.	Components	Symbol	Size	QTY.
1	1Ltr AseptiBag Gold with 2 x 3/8" HB & 1 x 1/4" HB		1Ltr	1
2	AdvantaFlex TPE tube id= 3/8" , od= 5/8"		20"	2
3	AdvantaFlex TPE tube id= 1/8" , od= 1/4"		18"	1
4	AdvantaFlex TPE tube id= 1/4" , od= 7/16"		2"	1
5	Female Quikconnect plug		--	1
6	Female Quikconnect with 3/8" HB connection		--	1
7	Male Quikconnect plug		--	1
8	Male Quikconnect with 3/8" HB connection		--	1
9	Needle free sampling port		--	1
10	Female luer connection with 1/8" HB		--	1
11	Double Ties		--	12
12	Single Tie		--	2
13	Reducer with 1/4" to 1/8" HB		--	1
14	Tube clamp C4-190(4K0343)		--	2
15	Tube clamp C1-068(4K0308)		--	1

Drawing No. A1052

Revision No. 00 Date: 24-03-2021

Advanced Microdevices Pvt. Ltd.
 Unit-3, Jawahargarh Road, Tepla
 Ambala, India

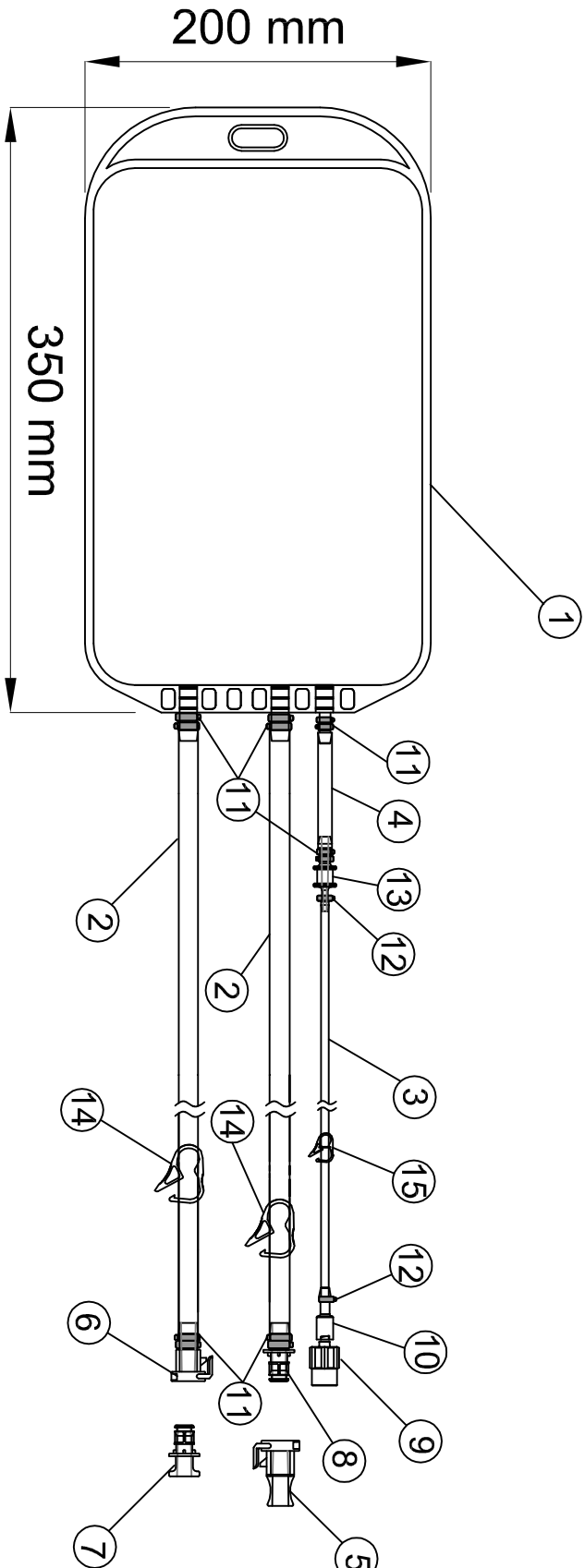
Approval By Customer

Customer Code: USA-1258 (For mdI use only)

Approved by: _____

Designation: _____

Date: _____



- The assembly will be gamma sterilized. Each pack will have the 'Gamma Irradiated' RED indicator.
- **Biosafety**
- All components of this assembly pass the Biological Reactivity Test *in vivo* for class VI plastics as per USP <88>
- **Non Animal Origin**
- According to declaration from MDI raw material and components suppliers, the materials used to manufacture this assembly do not contain substance of animal origin

Drawing No. A1053

Revision No. 00 Date: 24-03-2021

Advanced Microdevices Pvt. Ltd.

Unit-3, Jawahargarh Road, Tepia

Ambala, India

Approval By Customer

Customer Code: USA-1258 (For mdj use only)

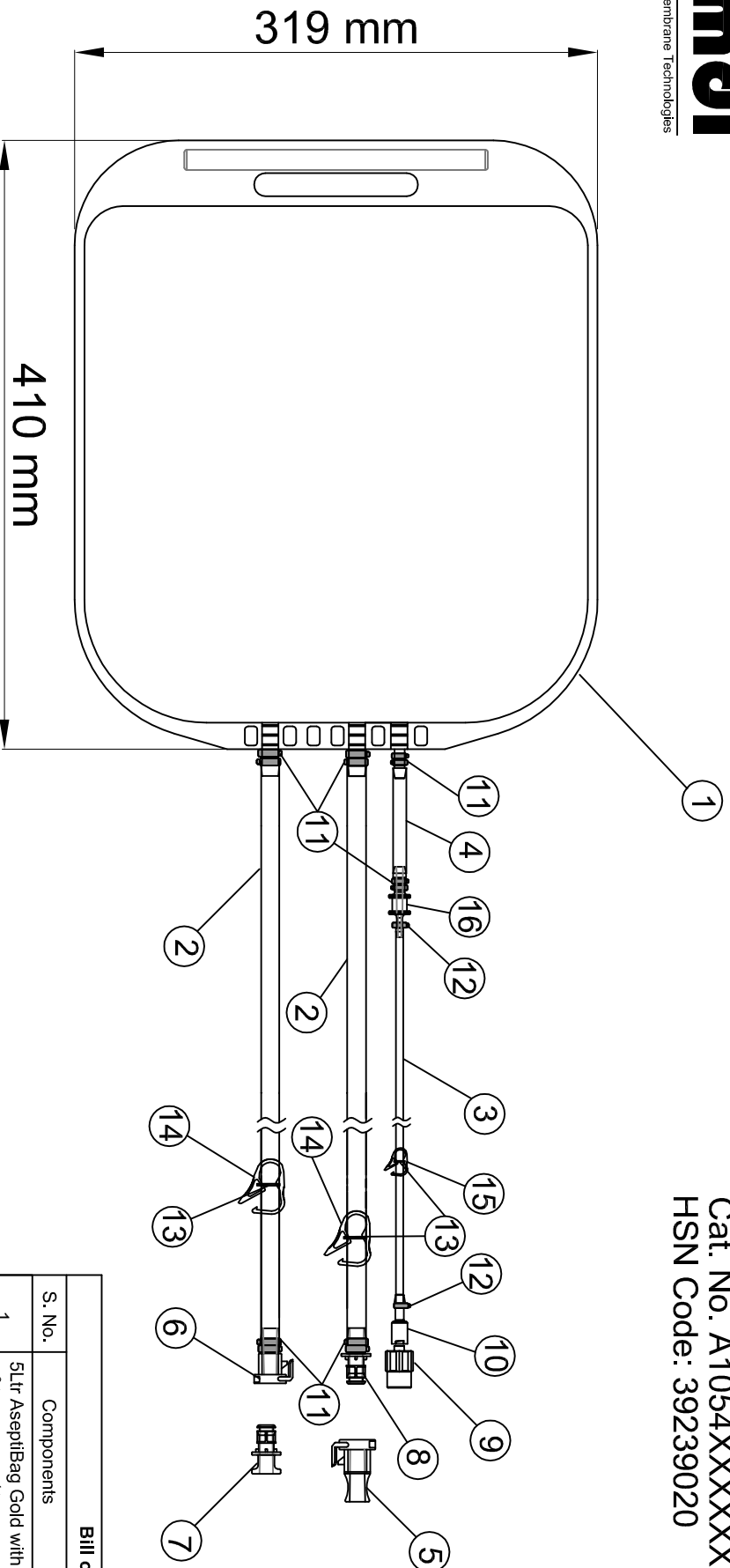
Approved by:

Designation:

Date:

Bill of Materials

S. No.	Components	Symbol	Size	QTY.
1	2Ltr AseptiBag Gold with 2 x 3/8" HB & 1 x 1/2" HB		2Ltr	1
2	AdvantaFlex TPE tube Id= 3/8" , od= 5/8"		20"	2
3	AdvantaFlex TPE tube Id= 1/8" , od= 1/4"		18"	1
4	AdvantaFlex TPE tube Id= 1/4" , od= 7/16"		2"	1
5	Female Quikconnect plug		--	1
6	Female Quikconnect with 3/8" HB connection		--	1
7	Male Quikconnect plug		--	1
8	Male Quikconnect with 3/8" HB connection		--	1
9	Needle free sampling port		--	1
10	Female luer connection with 1/8" HB		--	1
11	Double Ties		--	12
12	Single Tie		--	2
13	Reducer with 1/4" to 1/8" HB		--	1
14	Tube clamp C4-190(L4K0343)		--	2
15	Tube clamp C1-068(L4K0308)		--	1



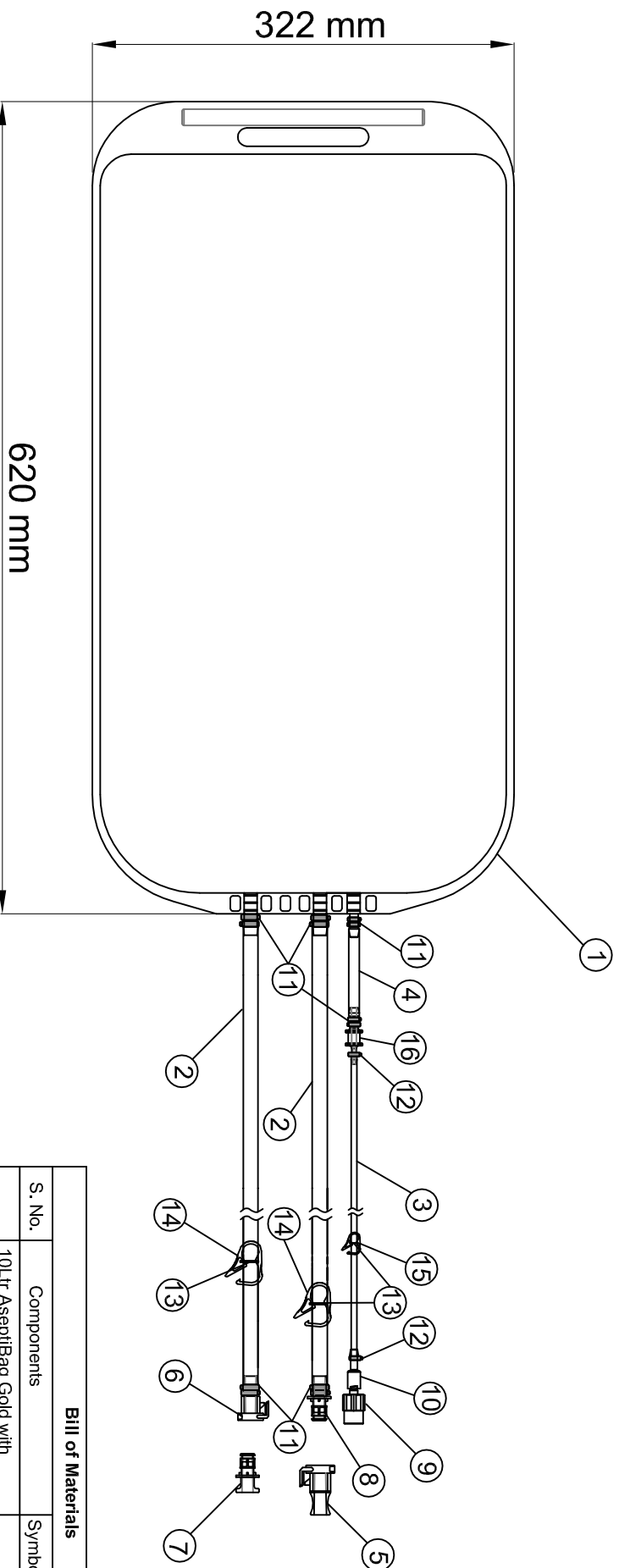
- The assembly will be gamma sterilized. Each pack will have the 'Gamma Irradiated' RED indicator.
- **Biosafety**
- All components of this assembly pass the Biological Reactivity Test *in vivo* for class VI plastics as per USP <88>
- **Non Animal Origin**
- According to declaration from MDI raw material and components suppliers, the materials used to manufacture this assembly do not contain substance of animal origin

Bill of Materials

S. No.	Components	Symbol	Size	QTY.
1	5Ltr AseptiBag Gold with 2 x 3/8" HB & 1 x 1/4" HB		5Ltr	1
2	Advantaflex TPE tube Id= 3/8" , od= 5/8"		20"	2
3	Advantaflex TPE tube Id= 1/8" , od= 1/4"		18"	1
4	Advantaflex TPE tube Id= 1/4" , od= 7/16"		2"	1
5	Female Quikconnect plug		--	1
6	Female Quikconnect with 3/8" HB connection		--	1
7	Male Quikconnect plug		--	1
8	Male Quikconnect with 3/8" HB connection		--	1
9	Needle free sampling port		--	1
10	Female luer connection with 1/8" HB		--	1
11	Double Ties		--	12
12	Single Tie		--	2
13	Releasable Tie		--	3
14	Tube clamp C4--190(L4K0343)		--	2
15	Tube clamp C1-068(L4K0308)		--	1
16	Reducer with 1/4" to 1/8" HB		--	1

Drawing No. A1054	
Revision No. 00	Date: 08-09-2020
Advanced Microdevices Pvt. Ltd.	
Unit-3, Jawahargarh Road, Tepla	
Ambala, India	

Approval By Customer	
Customer Code: USA-1258	(For mdj use only)
Approved by:	
Designation:	
Date:	



Bill of Materials

S.No.	Components	Symbol	Size	QTY.
1	10Ltr AseptiBag Gold with 2 x 3/8" HB & 1 x 1/4" HB		10Ltr	1
2	AdvantaFlex TPE tube id= 3/8" , od= 5/8"		20"	2
3	AdvantaFlex TPE tube id= 1/8" , od= 1/4"		18"	1
4	AdvantaFlex TPE tube id= 1/4" , od= 1/8"		2"	1
5	Female Quikconnect plug		--	1
6	Female Quikconnect with 3/8" HB connection		--	1
7	Male Quikconnect plug		--	1
8	Male Quikconnect with 3/8" HB connection		--	1
9	Needle free sampling port		--	1
10	Female luer connection with 1/8" HB		--	1
11	Double Ties		--	12
12	Single Tie		--	2
13	Releasable Tie		--	3
14	Tube clamp C4-190(L4K0343)		--	2
15	Tube clamp C1-068(L4K0308)		--	1
16	Reducer with 1/4" to 1/8" HB		--	1

- The assembly will be gamma sterilized. Each pack will have the 'Gamma Irradiated' RED indicator.
- **Biosafety**
- All components of this assembly pass the Biological Reactivity Test *in vivo* for class VI plastics as per USP <88>
- **Non Animal Origin**
- According to declaration from MDI raw material and components suppliers, the materials used to manufacture this assembly do not contain substance of animal origin

Drawing No. A1055

Revision No. 00 Date: 08-09-2020

Advanced Microdevices Pvt. Ltd.
Unit-3, Jawahargarh Road, Tepla
Ambala, India

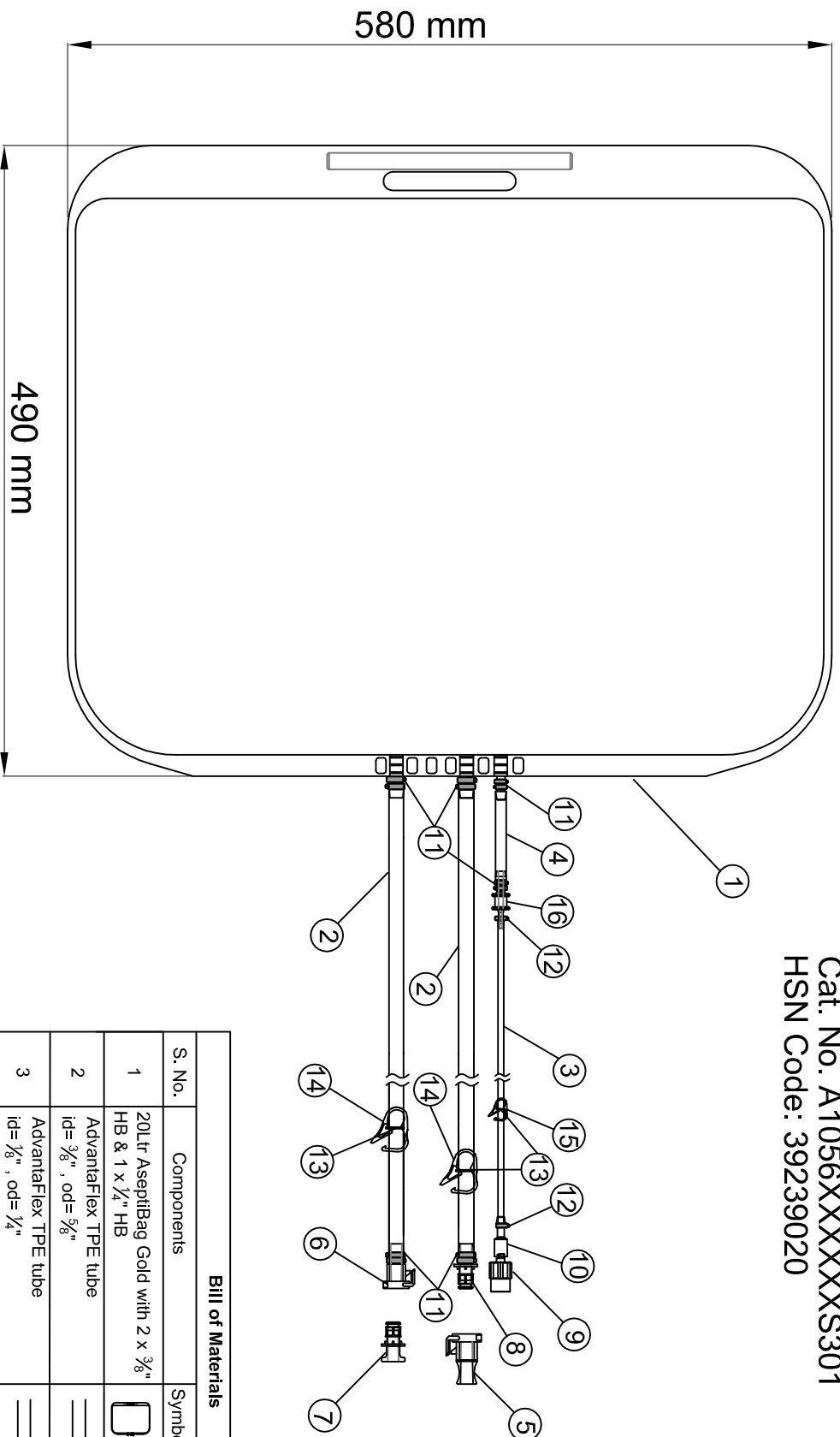
Approval By Customer

Customer Code: USA-1258 (For med. use only)

Approved by:

Designation:

Date:



- The assembly will be gamma sterilized. Each pack will have the 'Gamma Irradiated' RED indicator.
- **Biosafety**
- All components of this assembly pass the Biological Reactivity Test *in vivo* for class VI plastics as per USP <88>
- **Non Animal Origin**
- According to declaration from MDI raw material and components suppliers, the materials used to manufacture this assembly do not contain substance of animal origin

Bill of Materials

S. No.	Components	Symbol	Size	QTY.
1	20Ltr AseptiBag Gold with 2 x 3/8" HB & 1 x 1/4" HB		20Ltr	1
2	AdvantaFlex TPE tube Id= 3/8" , od= 5/8"		20"	2
3	AdvantaFlex TPE tube Id= 1/8" , od= 1/4"		18"	1
4	AdvantaFlex TPE tube Id= 1/4" , od= 7/16"		2"	1
5	Female Quikconnect plug		--	1
6	Female Quikconnect with 3/8" HB connection		--	1
7	Male Quikconnect plug		--	1
8	Male Quikconnect with 3/8" HB connection		--	1
9	Needle free sampling port		--	1
10	Female luer connection with 1/8" HB		--	1
11	Double Ties		--	12
12	Single Tie		--	2
13	Releasable Tie		--	3
14	Tube clamp C4-190(L4K0343)		--	2
15	Tube clamp C1-068(L4K0308)		--	1
16	Reducer with 1/4" to 1/8" HB		--	1

Approval By Customer

Drawing No. A1056
Revision No. 00
Date: 08-09-2020

Customer Code: USA-1258
Approval by: (For med. use only)

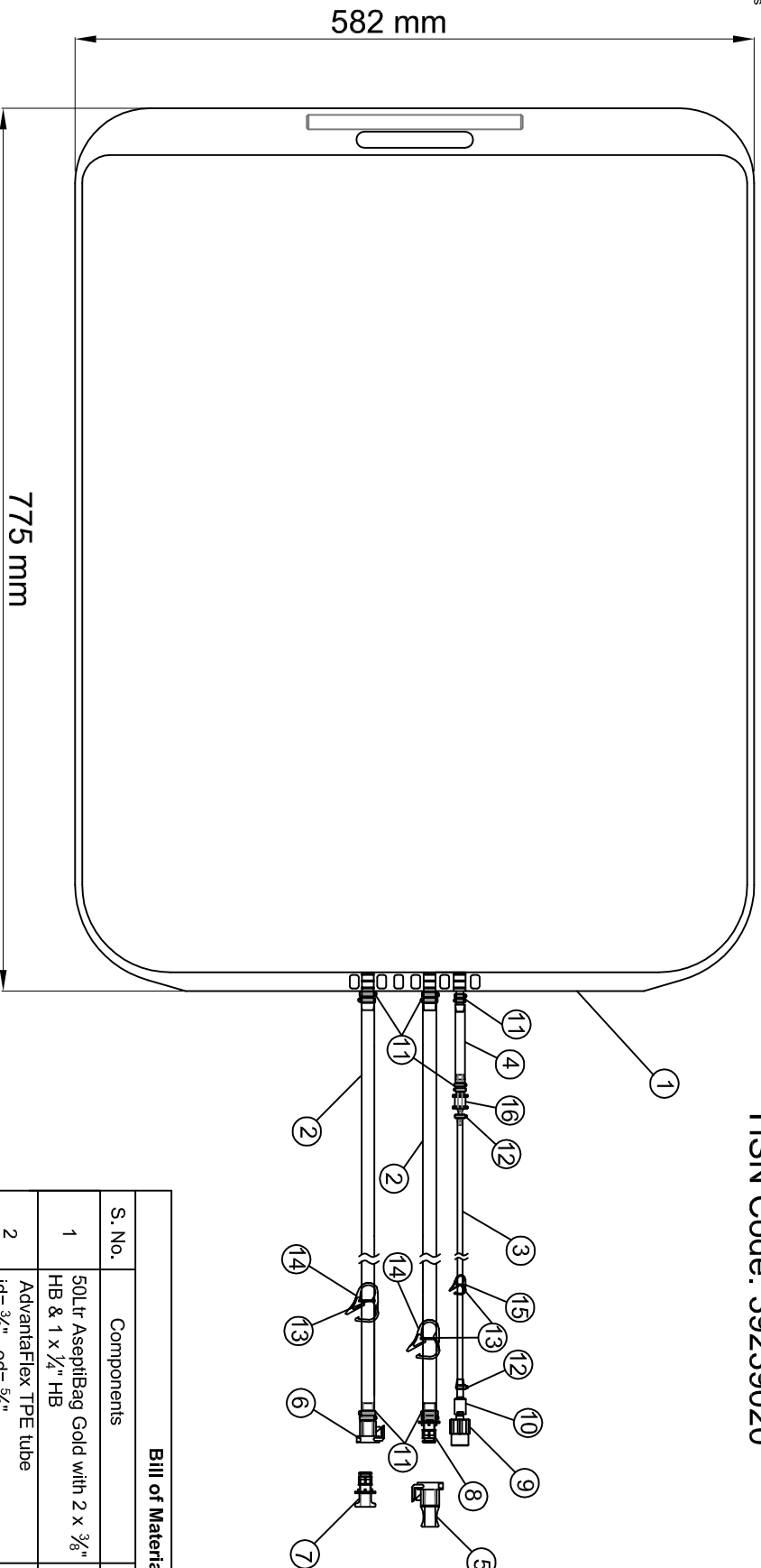
Advanced Microdevices Pvt. Ltd.
Unit-3, Jawahargarh Road, Tepa
Ambala, India

Date:

Gamma Irradiated Single Use Assembly

Cat. No. A1057XXXXXXXXS301

HSN Code: 39239020



- The assembly will be gamma sterilized. Each pack will have the 'Gamma Irradiated' RED indicator.
- **Biosafety**
- All components of this assembly pass the Biological Reactivity Test *in vivo* for class VI plastics as per USP <88>
- **Non Animal Origin**
- According to declaration from MDI raw material and components suppliers, the materials used to manufacture this assembly do not contain substance of animal origin

Drawing No. A1057

Revision No. 00

Date: 08-09-2020

Advanced Microdevices Pvt. Ltd.

Unit-3, Jawahargarh Road, Tepla

Ambala, India

Approval By Customer

Customer Code: USA-1258

(For ind use only)

Approved by: *

Designation:

Date:

Bill of Materials

S. No.	Components	Symbol	Size	QTY.
1	50Ltr AseptiBag Gold with 2 x 3/8" HB & 1 x 1/4" HB		50Ltr	1
2	AdvantaFlex TPE tube id= 3/8", od= 3/8"		20"	2
3	AdvantaFlex TPE tube id= 1/8", od= 1/4"		18"	1
4	AdvantaFlex TPE tube id= 1/4", od= 7/16"		2"	1
5	Female Quikconnect plug		--	1
6	Female Quikconnect with 3/8" HB connection		--	1
7	Male Quikconnect plug		--	1
8	Male Quikconnect with 3/8" HB connection		--	1
9	Needle free sampling port		--	1
10	Female luer connection with 1/8" HB		--	1
11	Double Ties		--	12
12	Single Tie		--	2
13	Releasable Tie		--	3
14	Tube clamp C4-190(L4K0343)		--	2
15	Tube clamp C1-068(L4K0308)		--	1
16	Reducer with 1/4" to 1/8" HB		--	1